

**HEALTHCARE  
LABORATORY  
+  
LIFE SCIENCES**  
seating solutions





At Oxford Seating, we design and manufacture seating for all aspects of our working lives.

- Pharmaceutical
- Medical
- Healthcare
- Laboratory
- Life Sciences
- Food Production
- Biotechnology
- Hydroponics
- Research
- Dentistry
- Podiatry
- Veterinary

...chairs designed for work

## Healthcare, Laboratory + Life Sciences seating solutions

### Technical Chairs

Pages 4 to 13



### Stools

Page 14



### Upholstery Guide

Page 15



### How to specify your Oxford Chair

Pages 16 to 17

### General Information

Pages 18 to 19



## STRATOS

Stratos offers a designed ergonomic solution for healthcare and laboratory applications.



STR-1-LAB



STR-2-LAB



STR-3-LAB

- HEPA filter on underside of seat acts to restrict the expulsion of particles as well as the absorption of potential bacteria into the chair.



- HEPA Filter



HEIGHT ADJUSTABLE ARM



FIXED ARM



### Height Range

#### High - STR-1-LAB

Sitting height range: 605 - 855mm  
Working height range: 740 - 1050mm

#### Intermediate - STR-2-LAB

Sitting height range: 530 - 730mm  
Working height range: 675 - 910mm

#### Low - STR-3-LAB

Sitting height range: 450 - 580mm  
Working height range: 640 - 815mm

#### Dimensions

Back: 440w x 460h mm  
Seat: 460w x 460d mm

- Upholstered sculpted seat and back
- Unique back support bar provides back and seat angle adjustment as well as ratchet back height adjustment



### Chair Adjustment

Synchronised back and seat angle adjustment

Seat height and ratchet backrest height adjustment

### Options

- Fixed arms
- Height adjustable arms
- Safety castors
- Brake loaded castors
- Black nylon base

All Stratos LAB chairs comply with ISO 14644-7 2022



- **Vinyl Upholstery**  
Standard vinyl available in a range of colours



OPU-1-LAB

## OPUS

Opus is a polyurethane seating solution designed to provide a robust and highly cleanable option.



OPU-2-LAB



OPU-3-LAB

### Features

- Solid polyurethane seat and back
- Back tilt, seat height and backrest height adjustment



OPU-3-LAB/HA  
Height Adjustable  
Arm



OPU-3-LAB/LA  
Fixed Arm



### Height Range

#### High - OPU-1-LAB

Sitting height range: 590 - 840mm  
Working height range: 740 - 1050mm

#### Intermediate - OPU-2-LAB

Sitting height range: 530 - 730mm  
Working height range: 675 - 910mm

#### Low - OPU-3-LAB

Sitting height range: 420 - 550mm  
Working height range: 640 - 815mm

#### Dimensions

Back: 375w x 400h mm  
Seat: 440w x 430d mm



- Unique back support bar provides back angle, height and lumbar adjustment



- Sculpted air channels to ensure maximum comfort and support

All Opus LAB chairs comply with ISO 14644-7 2022

### Chair Adjustment

Back height and angle adjustment

### Options

Independent seat and back tilt adjustment

- Fixed arms
- Height adjustable arms
- Safety castors
- Brake loaded castors
- Aluminium centre footring
- Black nylon base



## POP

Pop is a conventional but versatile laboratory chair offering a comfortable seating solution.



POP-1-LAB



POP-2-LAB



POP-3-LAB

### Features

- Upholstered seat and back with moulded plastic outer back and ergonomically shaped seat
- Back tilt, seat height and backrest height adjustment



HEIGHT ADJUSTABLE ARM



FIXED ARM



- Fingertip controls

### Height Range

#### High - POP-1-LAB

Sitting height range: 590 - 840mm  
Working height range: 740 - 1050mm

#### Intermediate - POP-2-LAB

Sitting height range: 515 - 715mm  
Working height range: 675 - 910mm

#### Low - POP-3-LAB

Sitting height range: 440 - 580mm  
Working height range: 640 - 815mm

### Dimensions

Back: 470w x 460h mm  
Seat: 470w x 435d mm



### Chair Adjustment

Back height and angle adjustment  
Seat height adjustment

### Options

Independent seat and back tilt adjustment

- Fixed arms
- Height adjustable arms
- Safety castors
- Brake loaded castors
- Aluminium centre footring
- Black nylon base
- Seat depth adjustment



- **Vinyl Upholstery**  
Standard vinyl available in a range of colours

## STRADA

Strada offers a stylish seating solution for clinical and medical environments.



SDA-1-LAB



SDA-2-LAB



SDA-3-LAB

### Features

- Upholstered sculpted seat and back
- Back tilt, seat height and backrest height adjustment



HEIGHT ADJUSTABLE ARM



FIXED ARM

- **Vinyl Upholstery**  
Standard vinyl available in a range of colours

### Height Range

#### High - SDA-1-LAB

Sitting height range: 605 - 855mm  
Working height range: 740 - 1050mm

#### Intermediate - SDA-2-LAB

Sitting height range: 530 - 730mm  
Working height range: 675 - 910mm

#### Low - SDA-3-LAB

Sitting height range: 460 - 590mm  
Working height range: 640 - 815mm

#### Dimensions

Back: 410w x 300h mm  
Seat: 460w x 460d mm



- Shown with aluminium footring upgrade

All Strada LAB chairs comply with ISO 14644-8 2022

### Chair Adjustment

Back height and angle adjustment

### Options

Independent seat and back tilt adjustment

- Fixed arms
- Height adjustable arms
- Safety castors
- Brake loaded castors
- Black nylon base
- Aluminium centre footring



- Unique back support bar provides back angle, height and lumbar adjustment

## ePU

ePU is one of the most recognisable of polyurethane chairs and remains an excellent option for environments where hygiene is important.

Our polyurethane components are manufactured to a high standard of both comfort and robustness.



ePU-1-LAB



ePU-2-LAB



ePU-3-LAB

### Colour Options

All models are available in the colours below, subject to minimum order quantities, other than black which is a stock colour.



### Height Range

#### High - ePU-1-LAB

Sitting height range: 610 - 860mm  
Working height range: 740 - 1050mm

#### Intermediate - ePU-2-LAB

Sitting height range: 530 - 730mm  
Working height range: 675 - 910mm

#### Low - ePU-3-LAB

Sitting height range: 460 - 590mm  
Working height range: 640 - 815mm

### Dimensions

Back: 400w x 305h mm  
Seat: 445w x 435d mm



- Textured seat and back

All ePU LAB chairs comply with ISO 14644-7 2022

### Chair Adjustment

Back height and angle adjustment

### Options

Independent seat and back tilt adjustment

Safety castors  
Brake loaded castors  
Aluminium centre footring  
Black nylon base



- Black nylon base, black gaslift and black backbar option

## KUDOS STOOLS



KUD-4-LAB

Round stool seat in vinyl upholstery.

Gaslift height adjustment with fingertip control.



KUD-5-LAB



KUD-6-LAB

### Height Range

#### High - KUD-4-LAB

Sitting height range: 570 - 820mm  
Working height range: 740 - 1050mm

#### Intermediate - KUD-5-LAB

Sitting height range: 490 - 680mm  
Working height range: 675 - 910mm

#### Low - KUD-6-LAB

Sitting height range: 440 - 565mm  
Working height range: 640 - 815mm

#### Dimensions

Seat: 380mm diameter  
Optional large seat: 420mm diameter



- Vinyl Upholstery  
Standard vinyl available in a range of colours

### Options

Glides  
Safety castors  
Brake loaded castors  
Black nylon base

## Upholstery Guide

Independent tests have shown that Just Colour vinyl is effective at reducing the spread of MRSA, E.coli, Coronavirus and other similar bacteria.

Testing was carried out in accordance with ISO 22196, ASTM G 21.



### Medical Grade Vinyl

Expanded, flame retardant, plasticised PVC coating on a knitted cotton base cloth.

Choice of 65 standard colours

Please refer to our website for full details for our Vinyl range which includes an instructional video on the vinyl anti-microbial properties.

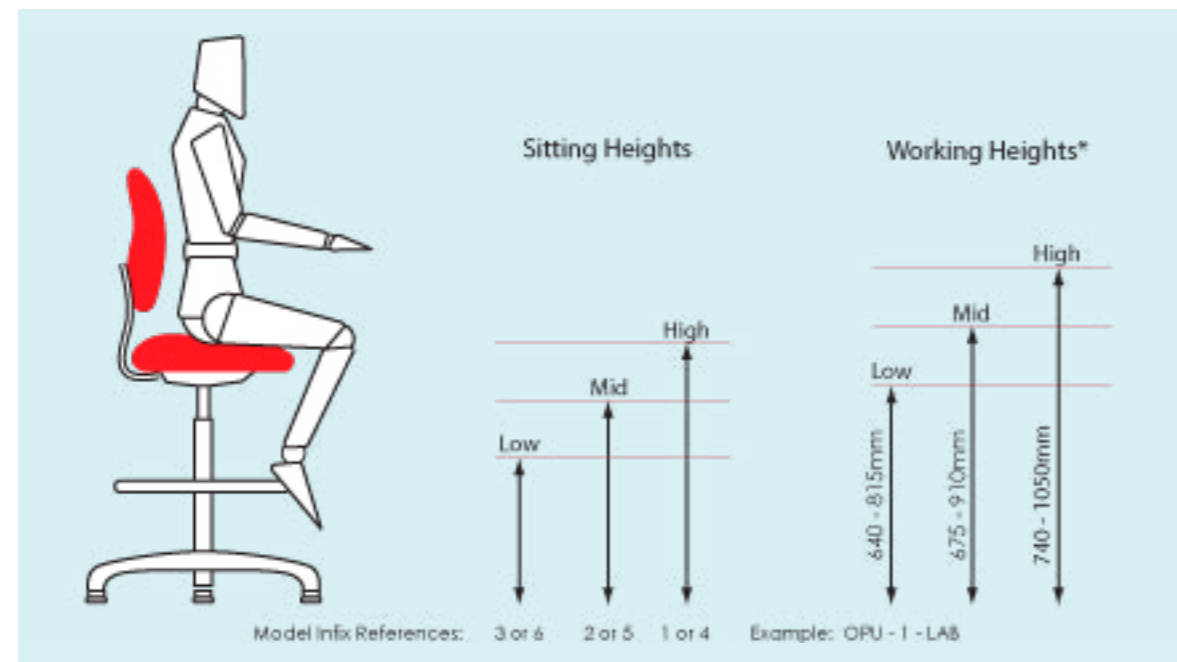
## How to specify your Oxford Chair

When deciding upon the correct specification of a chair, factors relating to health and safety at work, as well as specific individual needs, have to be considered.

### Chair Height

Choosing the right height of chair is very important in that it can affect the posture of the operator. Working at the wrong height can lead to problems with backache and strains on the lower arms.

Use the diagram below to decide which height of chair is most suitable for your requirements. An operator should be able to support their feet on the floor or on a height adjustable footring or preferably a footrest.



### Chair Height References

The majority of Oxford model references are numbered in a way that denotes the chair height range. Those numbers with an infix of a 1 or a 4 are high chairs, 2 or 5 are mid height chairs and 3 or 6 are low chairs.

### Working at Specific Heights

Please take extra regard when not at normal desk or laboratory bench heights. The use of laminar flow cabinets or glove boxes, as well as working with microscopes introduces the need for particular attention.

\* Based on work surface height. Please adjust for microscopes and test equipment.



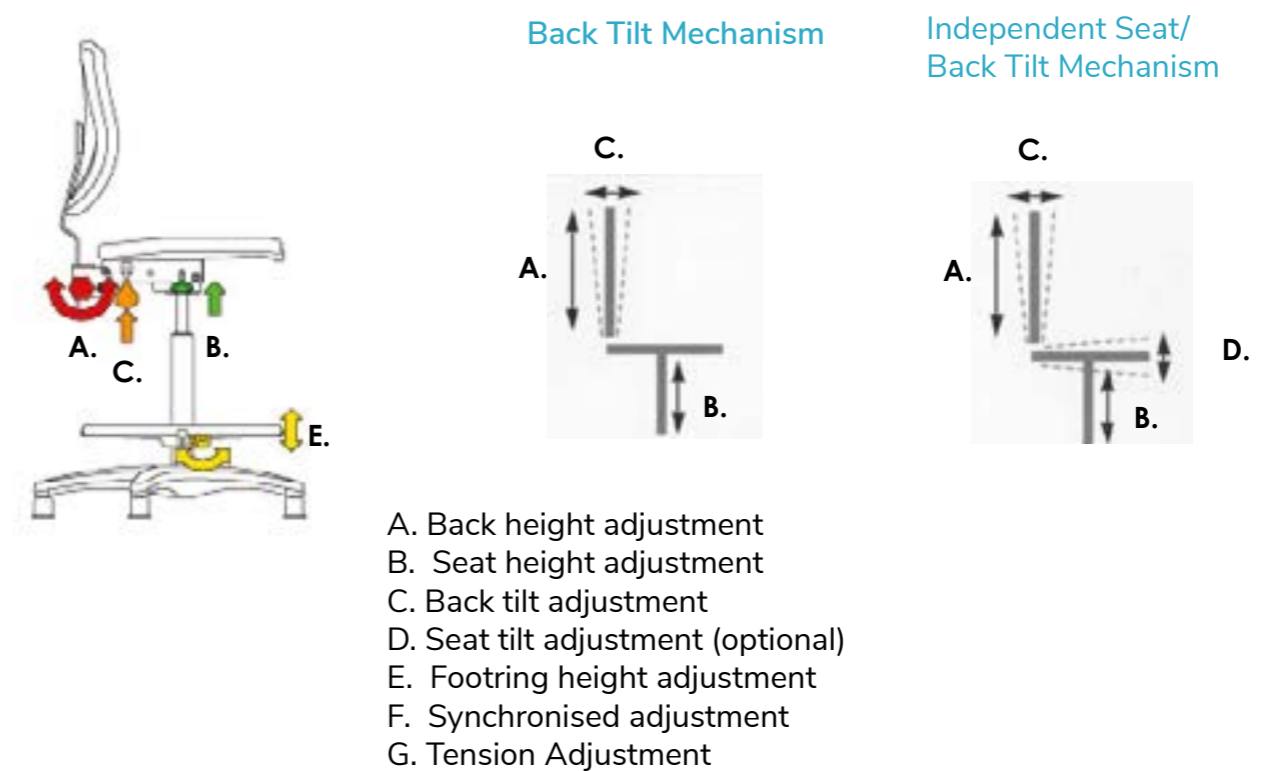
## Mechanism

The chair mechanism is generally referred to as the component which enables the various adjustments to the chair such as seat height, back and seat ratio and angle and height of back.

### Adjustment

The very best technology and engineering skills have been employed in the design and manufacture of our seating to provide ergonomically correct chairs, able to offer safe and comfortable seating for many years to come.

A correctly adjusted chair is important to long-term comfort whether the user works with a PC or an isolator. It is important that time is taken to get to know the chair when first used. Find out what the levers do and ensure that the chair is adjusted to the user's individual requirements.



- A. Back height adjustment
- B. Seat height adjustment
- C. Back tilt adjustment
- D. Seat tilt adjustment (optional)
- E. Footring height adjustment
- F. Synchronised adjustment
- G. Tension Adjustment

### Stratos Synchronised Mechanism

The standard mechanism supplied with an Oxford chair is a two-lever Back tilt or three-lever Independent Seat/Back tilt mechanism.

Stratos is supplied with a synchronised mechanism which alters the seat and back angles in a co-ordinated movement.



... specifying Oxford is the right decision

## General Information

### Castors or Glides

This is a particularly important safety issue and is often not considered in full when choosing a chair.

Free-wheeling castors should be considered for low gaslift chairs on carpeted floors.

Low gaslift chairs are supplied with soft tyred, interval braked or 'safety' castors as standard, on what are generally hard floors in healthcare and laboratory environments. This is where a partial brake remains in operation.

High and Intermediate gaslift chairs are fitted with glides as standard. Safety castors can be fitted as an option.

Brake loaded or 'locking' castors are available as an option. This is where the castor locks completely when the operator sits on the chair.

No responsibility can be accepted for injuries resulting from where the wrong castor is specified by the user.



### Armrests

A choice of fixed loop or height adjustable armrests is available on all our chair ranges.



Height Adjustable Arms Fixed Loop Arms



Nylon centre footring Aluminium centre footring

### Footring

All high and intermediate models are supplied with a footring as standard.

Where a nylon centre footring is supplied, this can be upgraded to an aluminium centre footring if required.

### Chair Base

All models in our Healthcare and Laboratory range are supplied with a polished aluminium base as standard.

A black nylon base is available as an option.

Many specifiers within these environments prefer the aesthetic quality of the aluminium base to re-enforce the commitment to hygiene.



### Warranty

All Oxford Seating products are warranted against mechanical or structural failure due to defective material, workmanship or abnormal wear for up to 5 years. All products are inspected before despatch. Oxford Seating undertakes to repair or replace any structural part which proves to be faulty when used under normal working conditions, provided it is returned to our works, carriage paid, within 5 years of manufacture.

See our website for full details.

### Quality and Environmental

All Oxford Seating products are manufactured under BS EN ISO 9001: 2015 quality assurance. All products are continually tested to ensure that they conform to the strength and stability requirements of British and European standards.

All products are produced in compliance with BS EN 14001:2015  
Stratos Lab and Opus Lab are manufactured in compliance with ISO 14644-8 2022 - Cleanroom.

### Development and Construction

In order to maintain continuous development, the right is reserved to revisit without notice, material, price and construction details of any item of chair model, as these become desirable.

### Cleaning

In accordance with our Warranty above, we do expect our Customers to maintain a cleaning policy for the chairs. In respect of polyurethane chairs we would recommend the use of warm water with a light detergent solution or a diluted IPA solution (isopropyl alcohol).

In respect of medical vinyl, we would recommend the use of warm water with a light detergent solution.

